



MARGARITAVILLE RESORT KISSIMMEE FL
PROPOSED SWOOSH WALL WITH SKYLINE LOGO AND COUNTERS



SIXT Rent a Car
1501 NW 49th St
Suite 100
Ft Lauderdale FL 33309

PROJECT
Margaritaville Resort
7470 Bronson Memorial
Kissimmee FL 34747

DRAWN BY
Construction & Interiors Team

ISSUE
12.08.2021

REVISIONS
00.00.00

DESCRIPTION
Back Wall Proposal

SHEET No
1 of 3



PROPOSED SPACE CURRENT CONDITIONS

SIXT Rent a Car
1501 NW 49th St
Suite 100
Ft Lauderdale FL 33309

PROJECT
Margaritaville Resort
7470 Bronson Memorial
Kissimmee FL 34747

DRAWN BY
Construction & Interiors Team

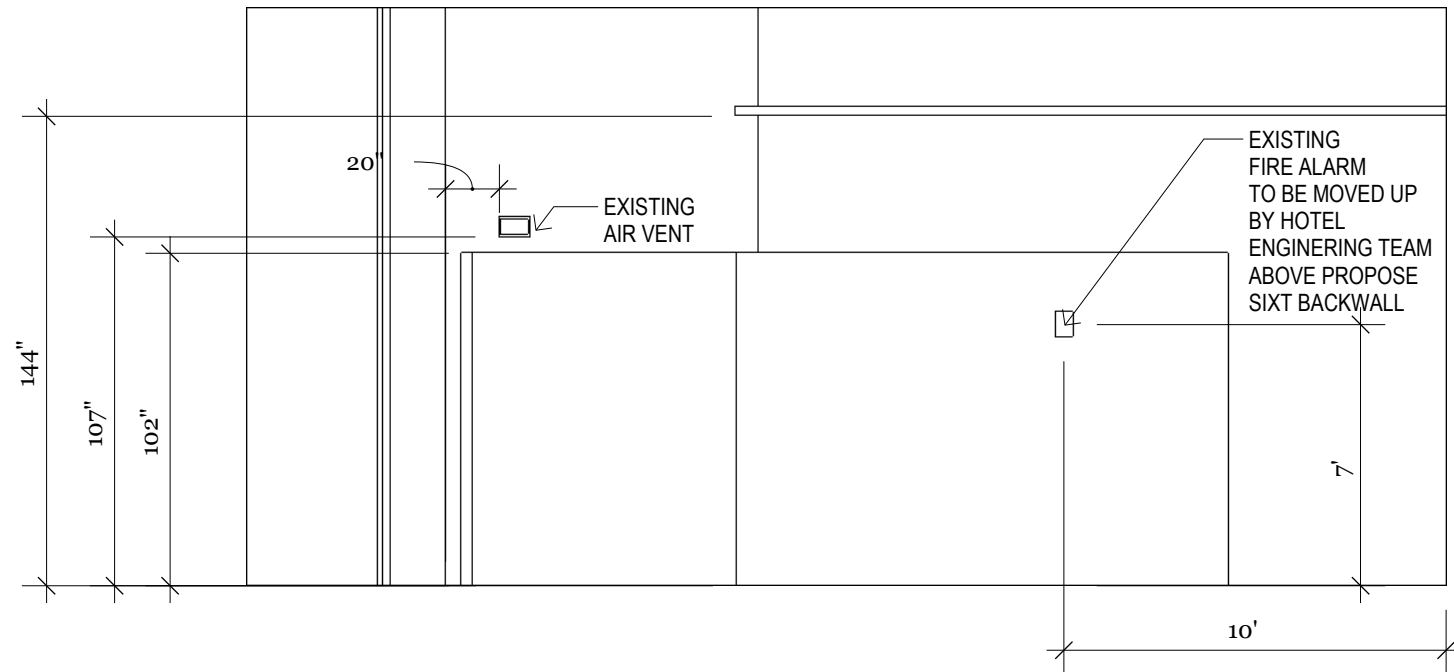
ISSUE
12.08.2021

REVISIONS
00.00.00

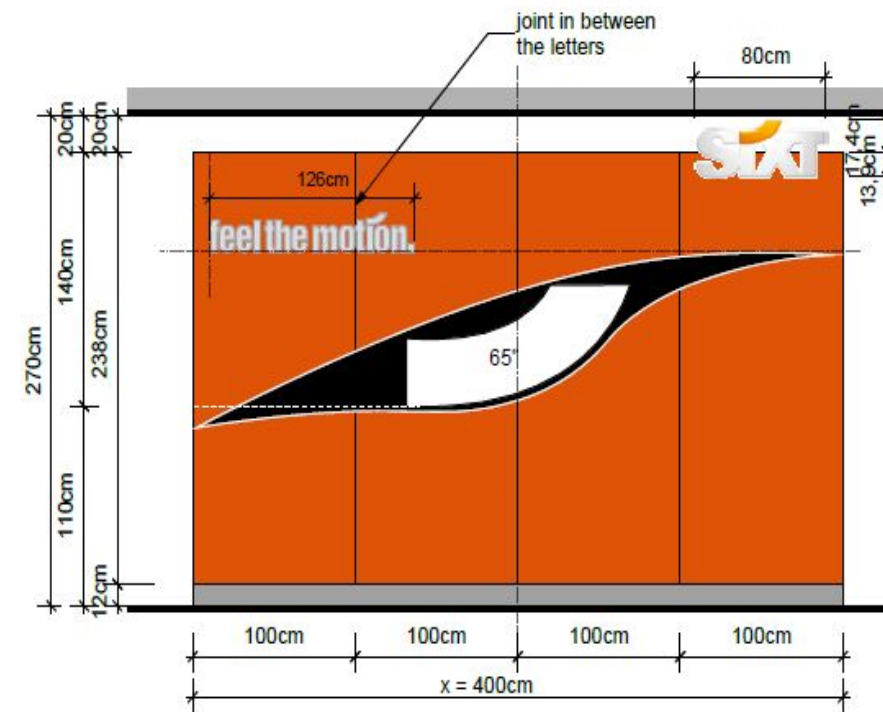
DESCRIPTION
Back Wall Proposal

SHEET No
2 of 3

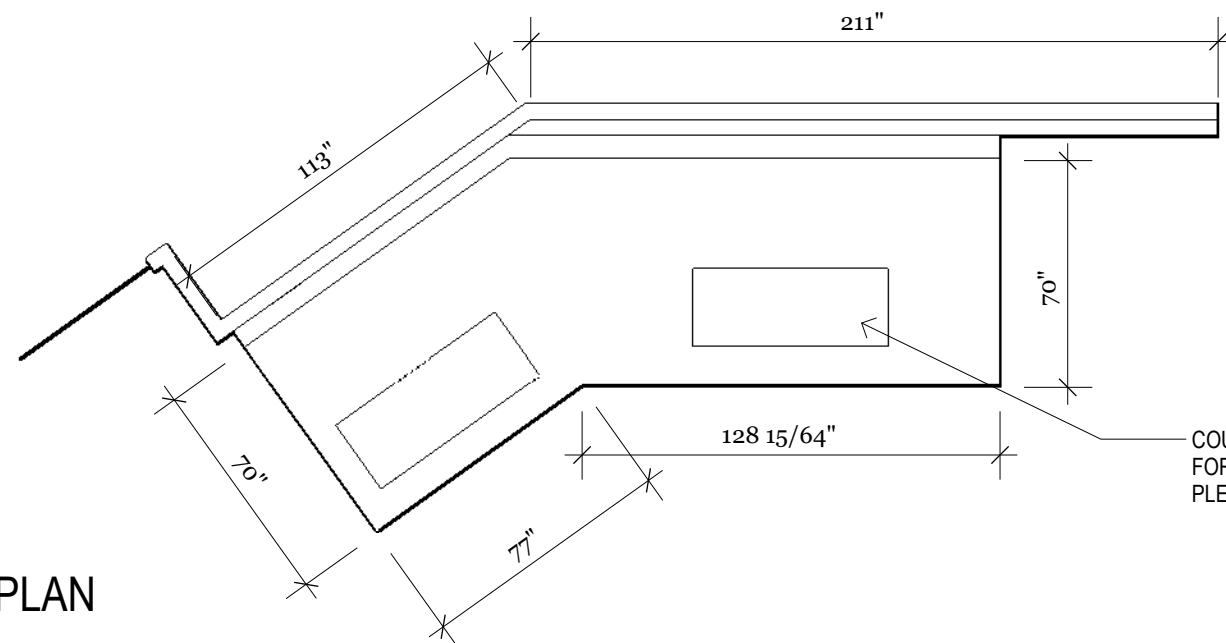
SCHEMATIC DRAWING - ALL DIMENSION TO BE VERIFIED ON SITE DURING SURVEY BY RCS



ELEVATION



65" SWOOSH VIDEO SPECS



PLAN

SIXT Rent a Car
1501 NW 49th St
Suite 100
Ft Lauderdale FL 33309

PROJECT
Margaritaville Resort
7470 Bronson Memorial
Kissimmee FL 34747

DRAWN BY
Construction & Interiors Team

ISSUE
12.08.2021

REVISIONS
00.00.00

DESCRIPTION
Back Wall Proposal