



---

**GODIVA CHOCOLATIER, Inc.**  
333 West 34th Street  
New York, NY  
Office 212.984.5900

---

**CLIENT**  
GODIVA - EMEA

---

**PROJECT**  
Salon du Chocolate - PARIS

---

**DRAWN BY**  
Store Planning & Design Team

**ISSUE**  
09.29.2014

**REVISIONS**  
00.00.00

**DESCRIPTION**

---

**SHEET No**  
1 of 4



---

**GODIVA CHOCOLATIER, Inc.**  
333 West 34th Street  
New York, NY  
Office 212.984.5900

---

**CLIENT**  
GODIVA - EMEA

---

**PROJECT**  
Salon du Chocolate - PARIS

---

**DRAWN BY**  
Store Planning & Design Team

**ISSUE**  
09.29.2014

**REVISIONS**  
00.00.00

**DESCRIPTION**

RAISED LOGO LETTERS  
WHITE ACRYLIC



VINYL LOGO WHITE

USE LIGHT BOX  
FROM PARIS BOOTH 2013

ROPE POLES BOTH SIDES

GRAPHIC ON DOOR  
DIMENSION TO BE  
CONFIRMED



VYNIL LOGO WHITE



**GODIVA CHOCOLATIER, Inc.**  
333 West 34th Street  
New York, NY  
Office 212.984.5900

**CLIENT**  
GODIVA - EMEA

**PROJECT**  
Salon du Chocolate - PARIS

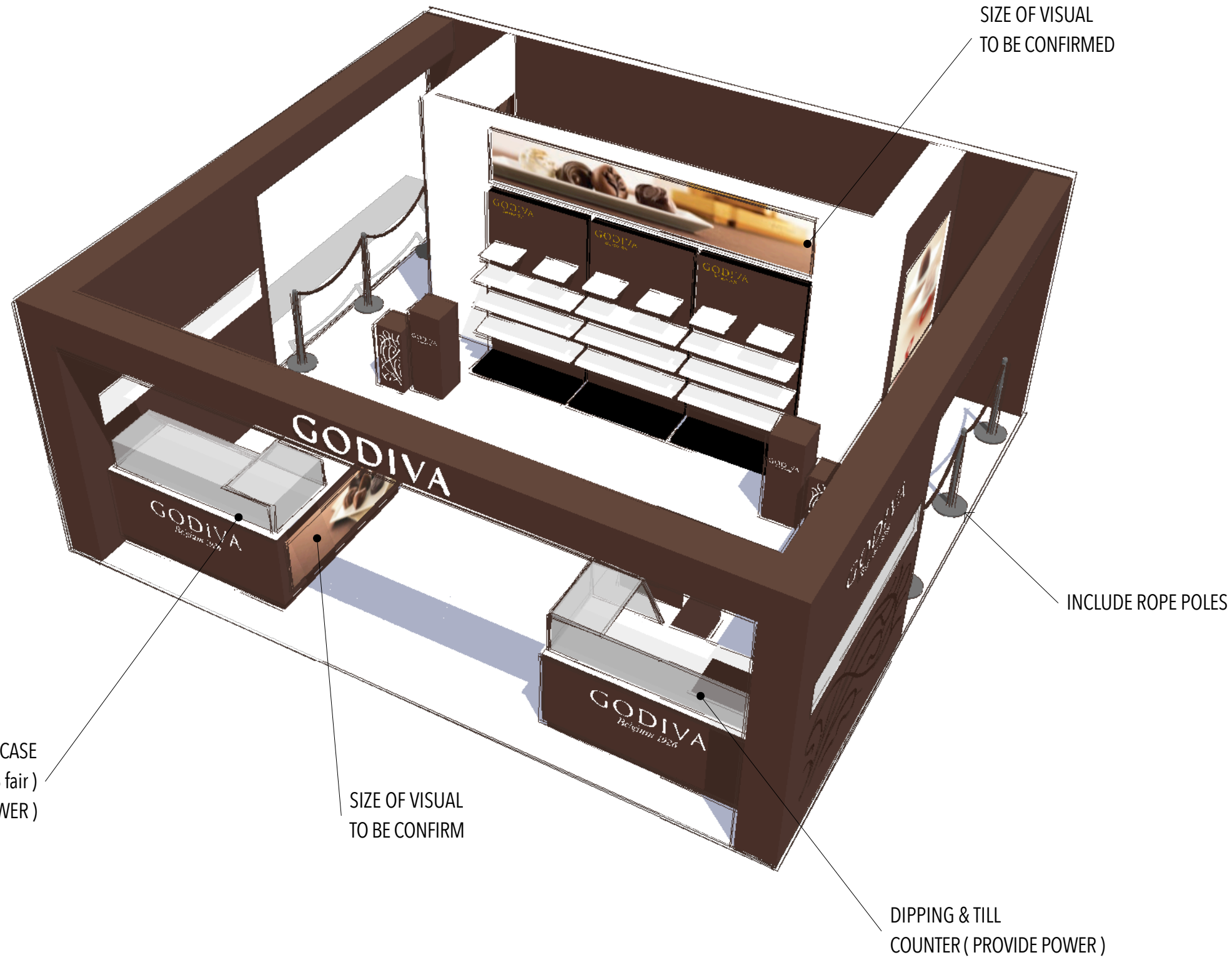
**DRAWN BY**  
Store Planning & Design Team

**ISSUE**  
09.29.2014

**REVISIONS**  
00.00.00

**DESCRIPTION**

**SHEET No**  
3 of 4



SIZE OF VISUAL  
TO BE CONFIRMED

**GODIVA CHOCOLATIER, Inc.**  
333 West 34th Street  
New York, NY  
Office 212.984.5900

**CLIENT**  
GODIVA - EMEA

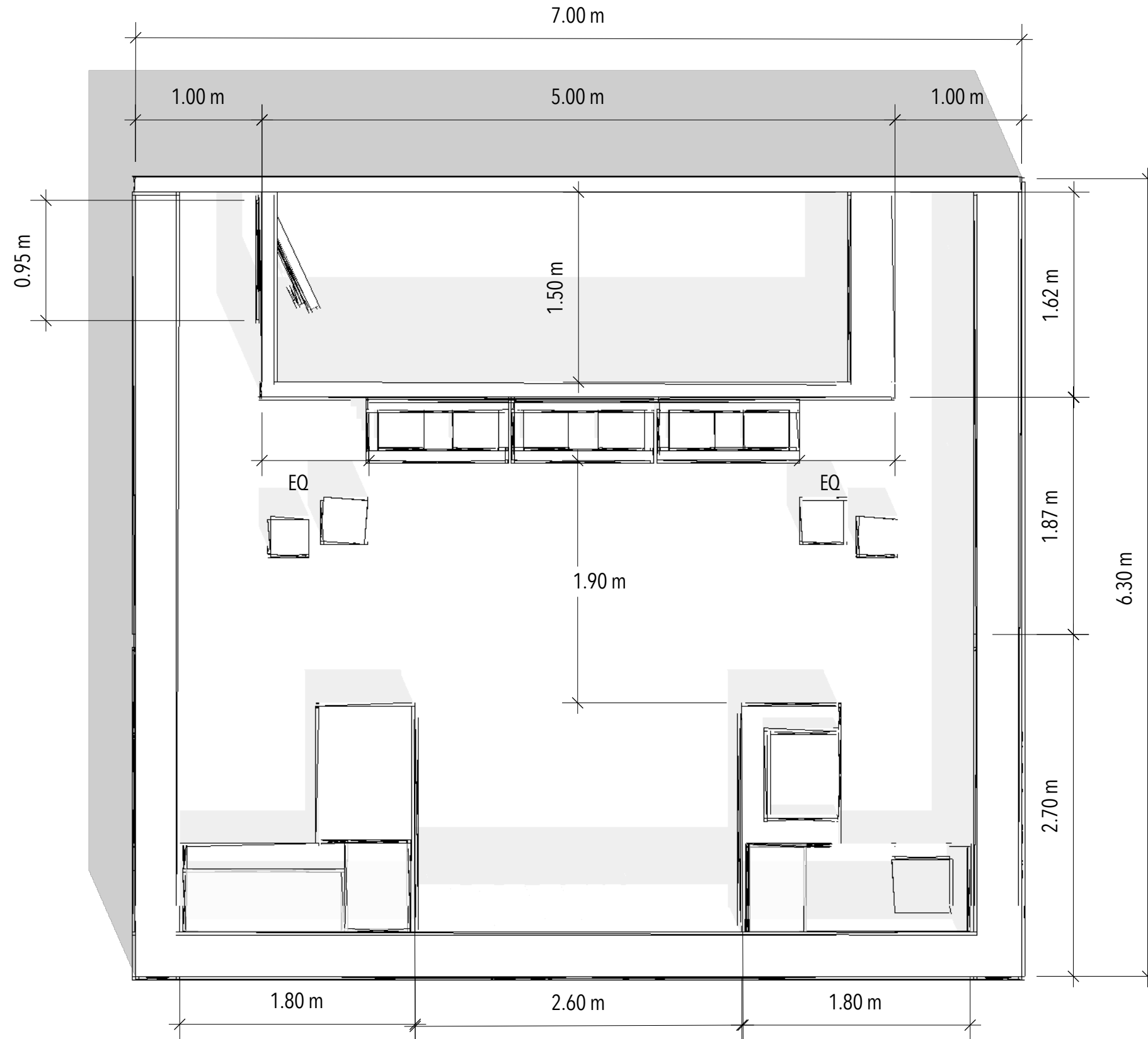
**PROJECT**  
Salon du Chocolate - PARIS

**DRAWN BY**  
Store Planning & Design Team

**ISSUE**  
09.29.2014

**REVISIONS**  
00.00.00

**DESCRIPTION**



**GODIVA CHOCOLATIER, Inc.**  
333 West 34th Street  
New York, NY  
Office 212.984.5900

**CLIENT**  
GODIVA - EMEA

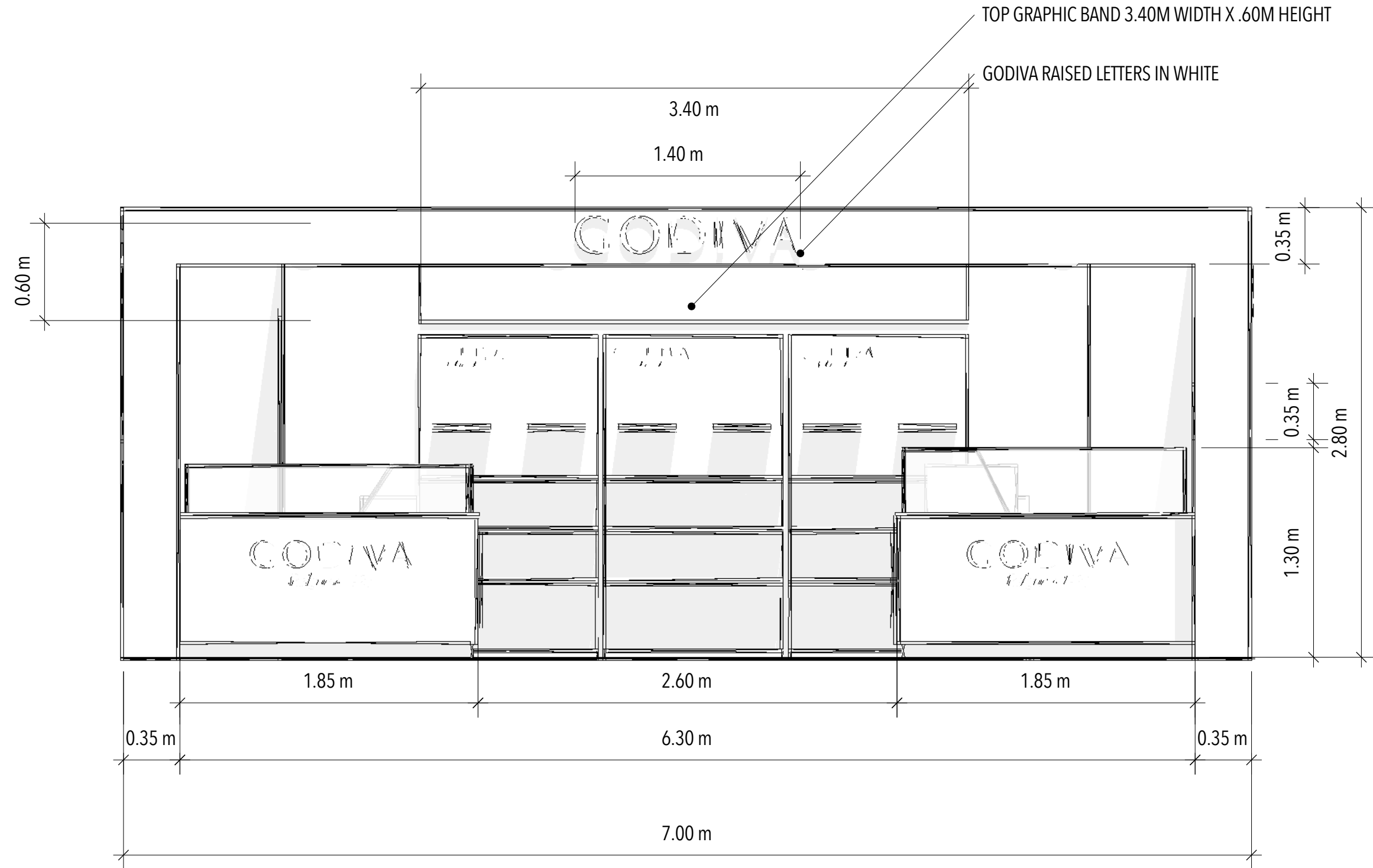
**PROJECT**  
Salon du Chocolate - PARIS

**DRAWN BY**  
Store Planning & Design Team

**ISSUE**  
10.02.2014

**REVISIONS**  
00.00.00

**DESCRIPTION**  
PLAN



**GODIVA CHOCOLATIER, Inc.**  
333 West 34th Street  
New York, NY  
Office 212.984.5900

**CLIENT**  
GODIVA - EMEA

**PROJECT**  
Salon du Chocolate - PARIS

**DRAWN BY**  
Store Planning & Design Team

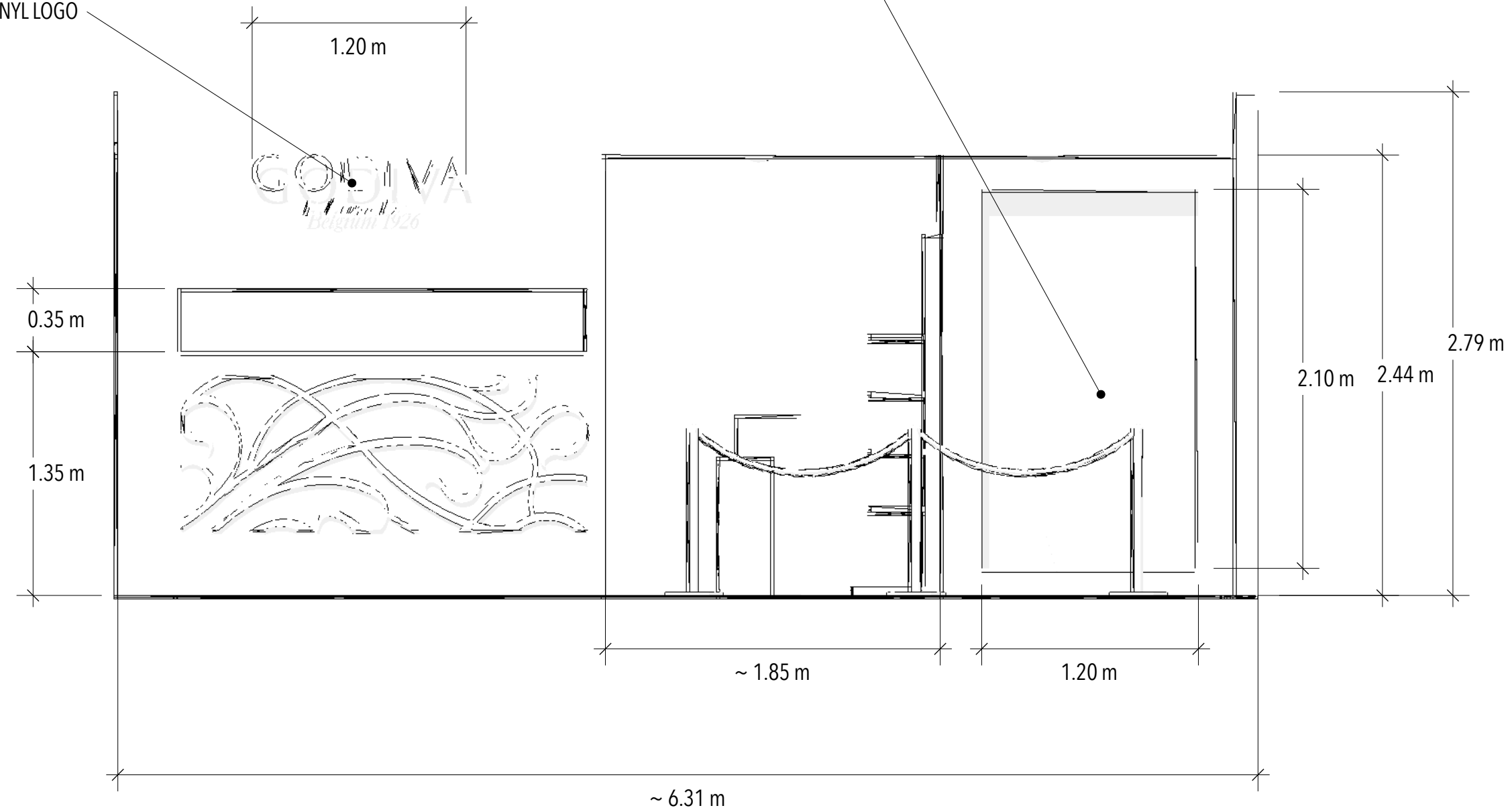
**ISSUE**  
10.02.2014

**REVISIONS**  
00.00.00

**DESCRIPTION**  
FRONT ELEVATION

CONFIRM SIZE OF VISUAL  
USE ONE LIGHTBOXES FROM BOOTH 2013

WHITE VINYL LOGO



**GODIVA CHOCOLATIER, Inc.**  
333 West 34th Street  
New York, NY  
Office 212.984.5900

**CLIENT**  
GODIVA - EMEA

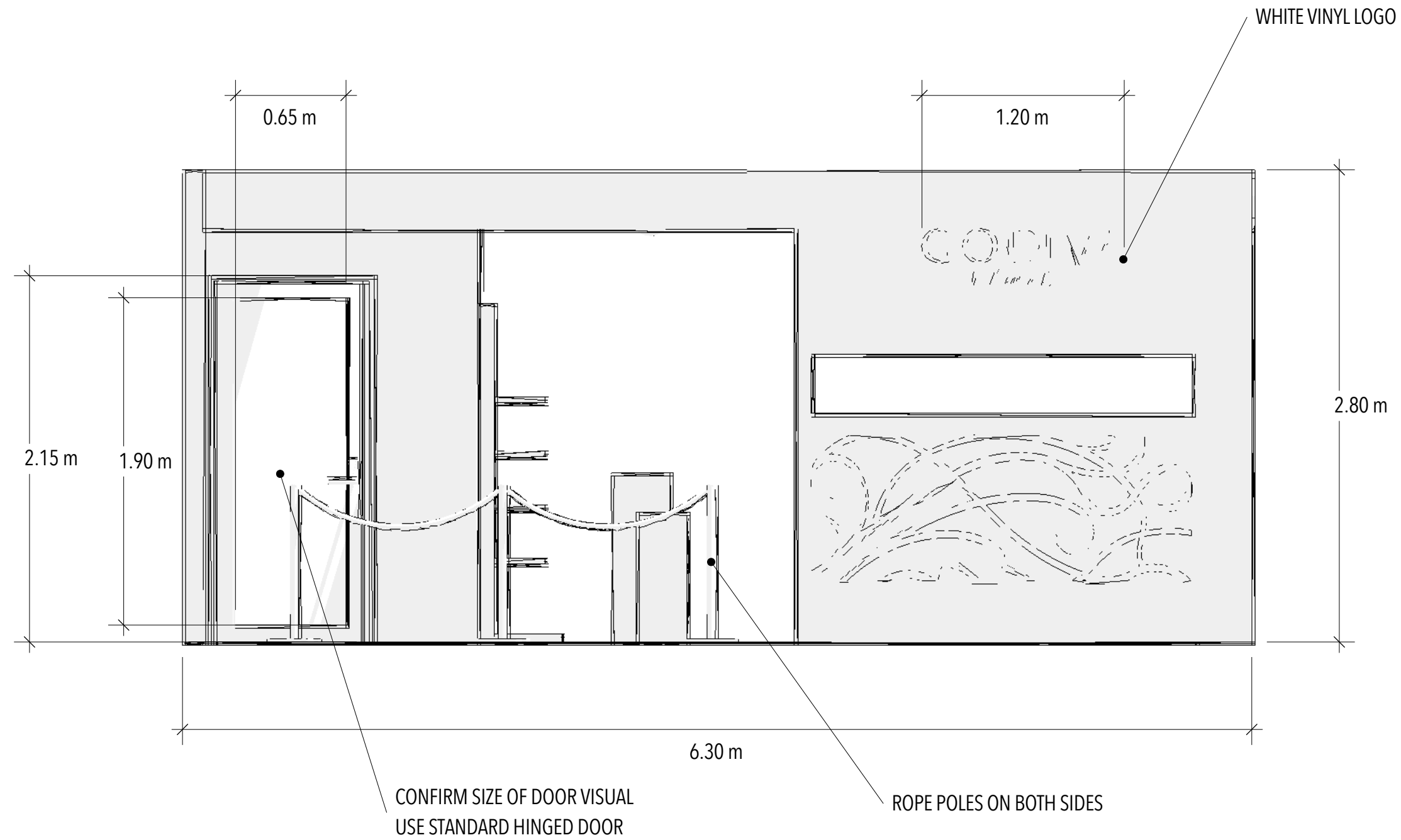
**PROJECT**  
Salon du Chocolate - PARIS

**DRAWN BY**  
Store Planning & Design Team

**ISSUE**  
10.02.2014

**REVISIONS**  
00.00.00

**DESCRIPTION**  
RIGHT ELEVATION



**GODIVA CHOCOLATIER, Inc.**  
333 West 34th Street  
New York, NY  
Office 212.984.5900

**CLIENT**  
GODIVA - EMEA

**PROJECT**  
Salon du Chocolate - PARIS

**DRAWN BY**  
Store Planning & Design Team

**ISSUE**  
10.02.2014

**REVISIONS**  
00.00.00

**DESCRIPTION**  
LEFT ELEVATION



**GODIVA CHOCOLATIER, Inc.**  
333 West 34th Street  
New York, NY  
Office 212.984.5900

**CLIENT**  
GODIVA - EMEA

**PROJECT**  
Salon du Chocolate - PARIS

**DRAWN BY**  
Store Planning & Design Team

**ISSUE**  
10.02.2014

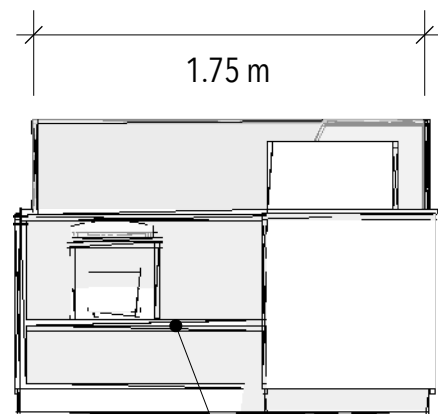
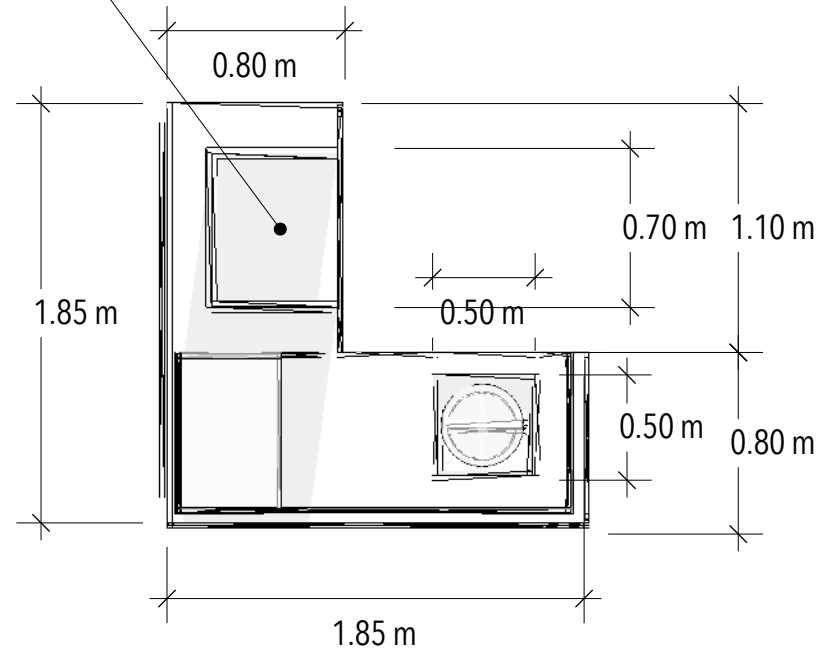
**REVISIONS**  
00.00.00

**DESCRIPTION**  
DIPPING & TILL COUNTER

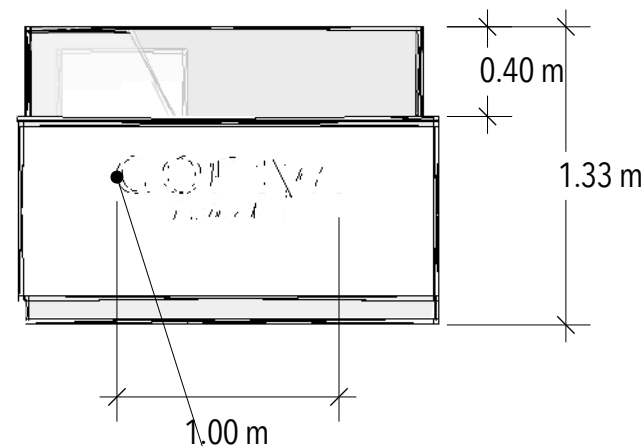
**SHEET No**  
5 of 6



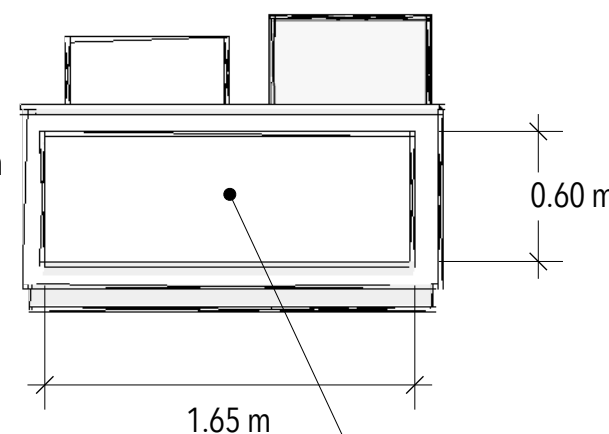
TILL / PROVIDE ELECTRIC POINT  
( CONFIRM TILL DIMENSIONS )



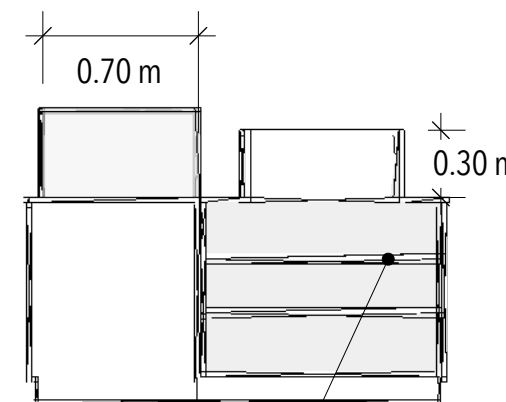
ADJUSTABLE  
SHELF TO FIT  
DIPPING UNIT



VYNIL LOGO



NON LIT  
VISUAL ON COUNTER



ADJUSTABLE SHELVES

**GODIVA CHOCOLATIER, Inc.**  
333 West 34th Street  
New York, NY  
Office 212.984.5900

**CLIENT**  
GODIVA - EMEA

**PROJECT**  
Salon du Chocolate - PARIS

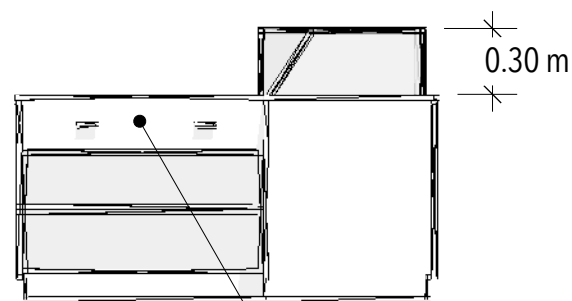
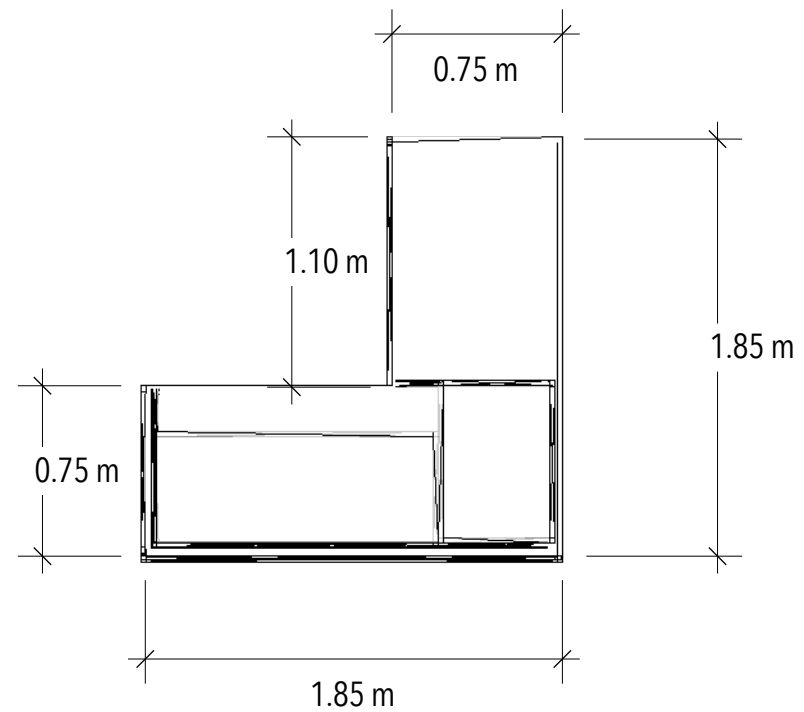
**DRAWN BY**  
Store Planning & Design Team

**ISSUE**  
10.02.2014

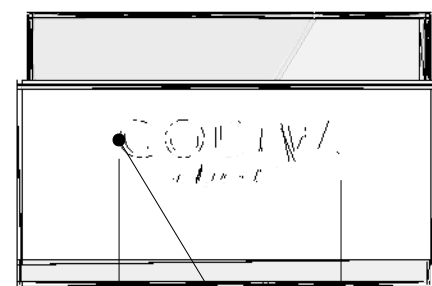
**REVISIONS**  
00.00.00

**DESCRIPTION**  
BULK CHOCOLATE CASE

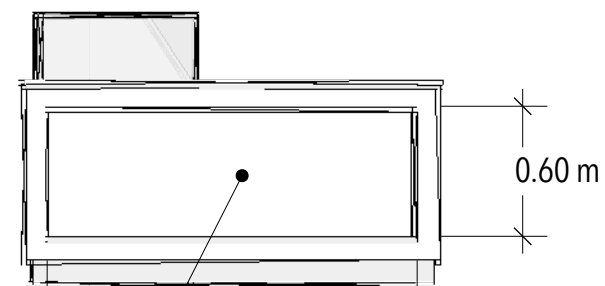
**SHEET No**  
6 of 6



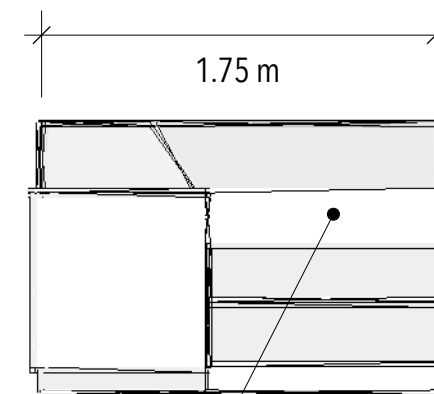
DRAWERS OR ADJUSTABLE  
SHELVES



VYNIL LOGO



NON LIT VISUAL  
ON COUNTER



FIX PANEL BELOW  
CHOCOLATE CASE